

13. EXPLODED DIAGRAM: B-30N

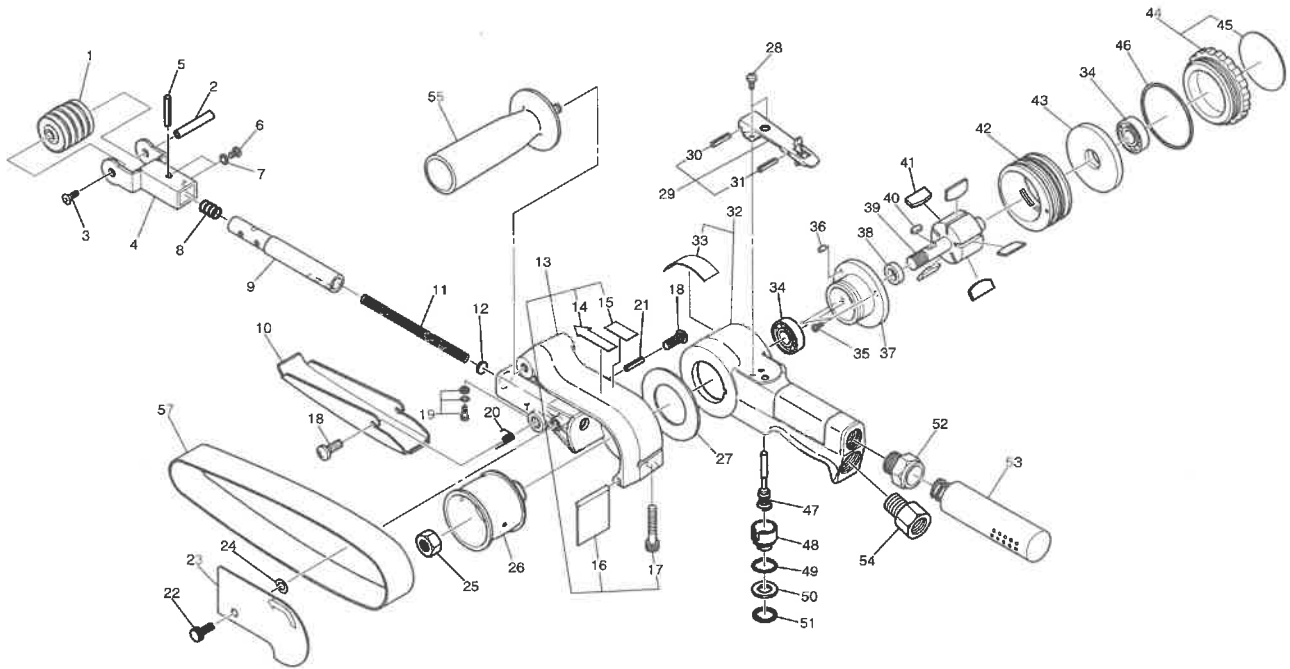
Warning

This diagram is for your reference only. Do not attempt to service or repair the Tool. Do not take the Tool apart. Contact an authorized Nitto dealer for all service and repair of the Tool.

Improper service and repair can cause accidents and severe injuries.

Never attempt to modify the Tool.

Never attempt service or repair the Tool yourself.



The parts numbers with () are included in the Ass'y parts written above them.

No.	Part No.	Description	Qty	Price
1	TB08170	Idle Pulley A Ass'y	1set	
2	TQ11792	Idle Pulley Shaft	1	
3	TP16219	Hex. Countersunk Head Screw 4X10	1	
4	TB08028	Bracket Sub Ass'y	1set	
5	TP07577	Spring Pin 4X16 AW	1	
6	TP08646	Hex.Cap Screw 5X14	2	
7	TQ12215	Toothed Lock Washer AW-5	2	
8	TQ10526	Tension Bar Spring	1	
9	TQ11793	Tension Bar	1	
10	TQ11881	Flat Shoe	1	
11	TQ11794	Spring 1.4X7.2X110	1	
12	TQ11838	Spring Guide	1	
13	TB08171	Guard Sub Ass'y B	1set	
14	(TP16360)	Label Rotation	1	
15	(TP16361)	Label Caution	1	
16	(TP04060)	Dust Cover	1	
17	(TP04073)	Hex.Cap Screw 6X35	1	
18	TP08132	Pan Head Screw 6X8	2	
19	TA92254	Key Bolt Ass'y	1set	
20	TQ11810	Shoe Spring	1	
21	TQ11997	Parallel Pin 5X16	1	
22	TQ02418	Decorative Screw 5X10	1	
23	TQ11797	Belt Cover	1	
24	TQ04426	Nylon Washer	1	
25	TP04077	Hex.Nut M12X1.5	1	
26	TQ11807	Drive Pulley	1set	
27	TP04058	Thrust Washer B 36.2X62X1	1	
28	TP06290	Pan Head Screw 4X 8	1	
29	TB01793	Throttle Lever Ass'y	1set	
30	(TP00460)	Spring Pin 3X22 AW	1	
31	(TP05498)	Spring Pin 2X16 AW	1	
32	TB08628	Housing Sub Ass'y	1set	
33	(TQ12656)	Label Warning	1	
34	TP00498	Ball Bearing 6001ZZ	2	

No.	Part No.	Description	Qty	Price
35	TQ11986	Hex. Countersunk Head Screw 4X8	2	
36	TP04061	SpringPin 3X 6 AW	1	
37	TQ11801	Lower Bearing Case	1	
38	TP04036	Spacer	1	
39	TP04032	Rotor	1	
40	TP00502	Parallel Key Both Ends Round 4X4X9.5	1	
41	TA9A215	Blade Ass'y (5pcs/set)	1set	
42	TP04031	Cylinder	1	
43	TP04035	Upper Bearing Case	1	
44	TB08631	Cap Ass'y	1set	
45	(TQ12646)	Label Model	1	
46	TQ11806	O-Ring AS568A-034	1	
47	TA93925	Valve Stem Ass'y	1set	
48	TP12405	Adjust Valve	1	
49	TP12407	O-Ring S- 15	1	
50	TP12406	Spacer 10.5X17.9X1.6	1	
51	CP00987	Internal Retaining Ring C- 18	1	
52	TP10005	Bushing PF 3/8	1	
53	TA96323	Silencer Ass'y	1set	
54	TP00857	Bushing M16XRc1/4	1	

Accessories

No.	Part No.	Description	Qty	Price
55	TB08248	Handle Ass'y	1set	
	TP01939	Hex. Socket Screw Key 4	1	
57	TQ00358	Abrasive Belt Z76X # 60X30	2	
	TQ00359	Abrasive Belt Z76X # 80X30	1	
	TQ00360	Abrasive Belt Z76X #100X30	1	
	TP02236	Bushing R1/4XNPT1/4	1	
	TP04004	Hex. Socket Screw Key 5	1	
	TQ12660	Instruction Manual	1	
	TQ12617	Declaration of Conformity	1	